

# RANGER KAI'S ACTIVITY BOOKLET

Series 1:

Volume 2



*Did you know my best friend Ranger Tabatha has a YouTube channel?*

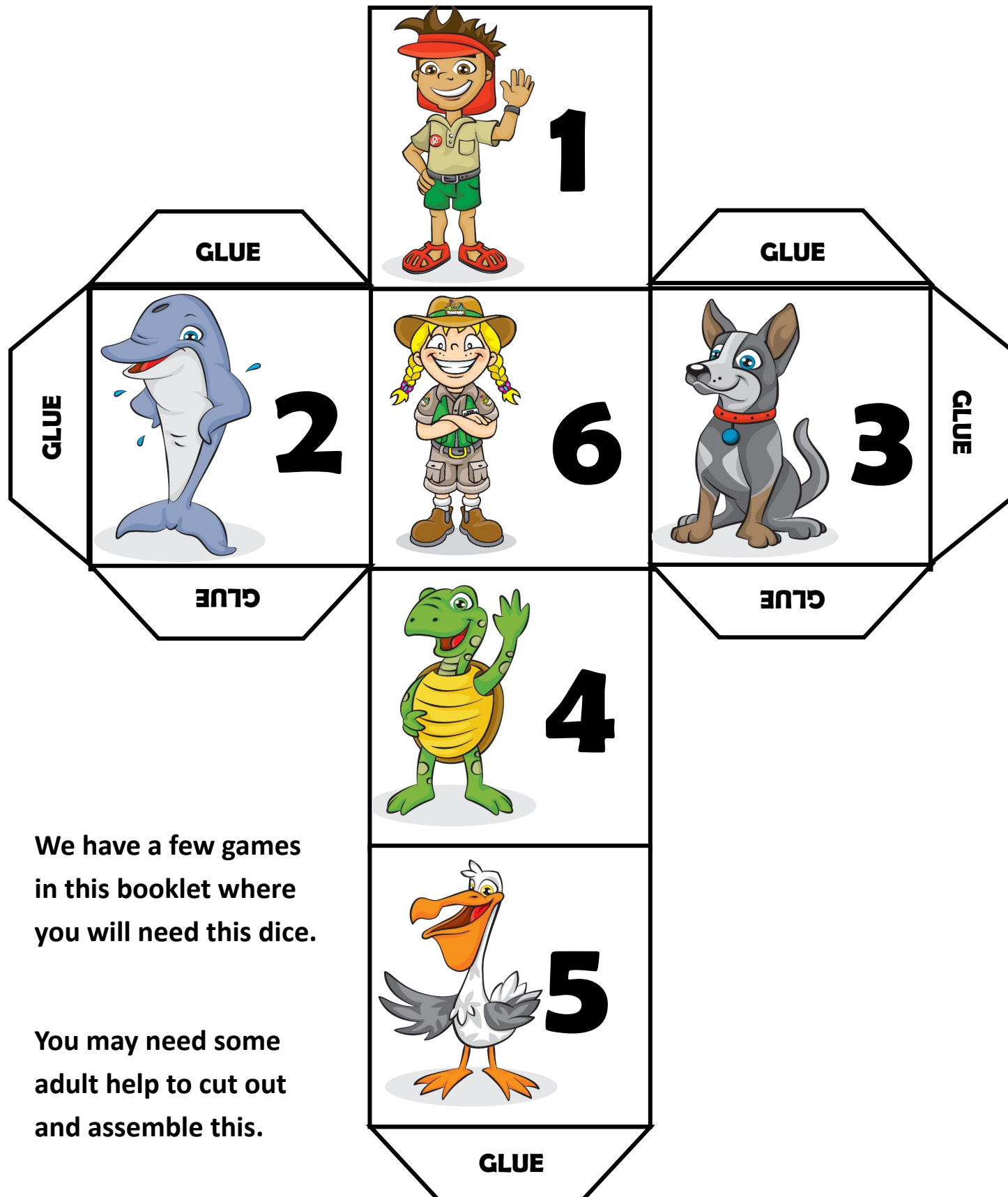


*Check out the 'Ranger Tabatha' YouTube channel to see all the cool things we have been up to!*



# Under the Sea Dice

Can you make this into a dice by folding on the lines and gluing the sections labelled glue?



We have a few games in this booklet where you will need this dice.

You may need some adult help to cut out and assemble this.



dolphin



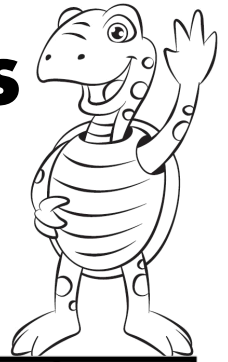
Download the Ranger Tabatha App from the App Store or the Google Play Store and scan the picture to unlock a quiz question!

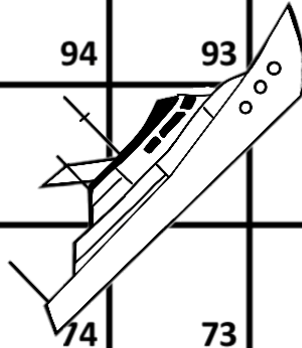
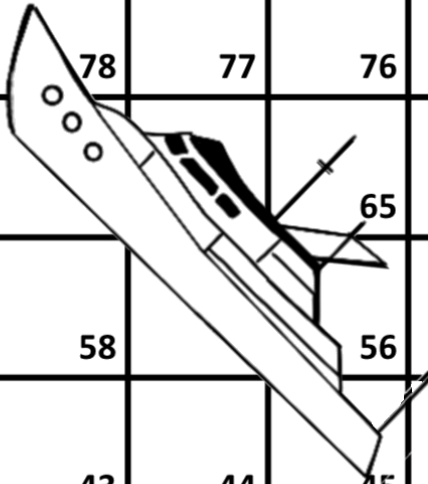
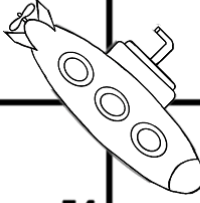
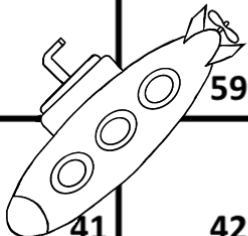
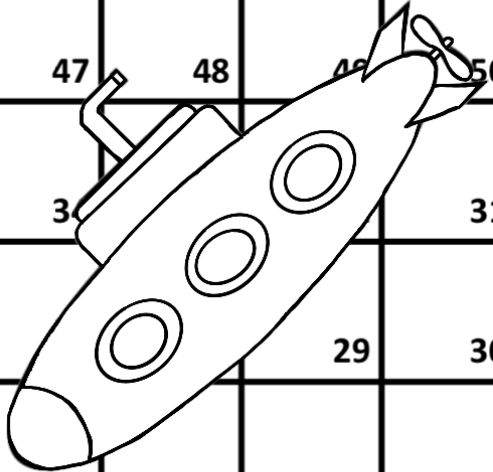
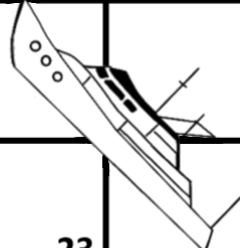


# Boats and Submarines

Roll the dice and move the appropriate spaces.

If you land on a boat it will take you to the surface however if you land on a submarine it will sink you down to the ocean floor!



100	99	98	97	96	95	94	93	92	91	
81	82	83	84	85	86			89	90	
80	79			76	75	74	73	72	71	
61	62			65	66			69	70	
		58			56	55	54	53	52	51
41	42	43	44	45	46	47	48			50
40	39			36	35	34			31	
21	22	23			25	26			29	30
20	19	18	17	16	15	14	13	12	11	
1	2	3	4	5	6	7	8	9	10	

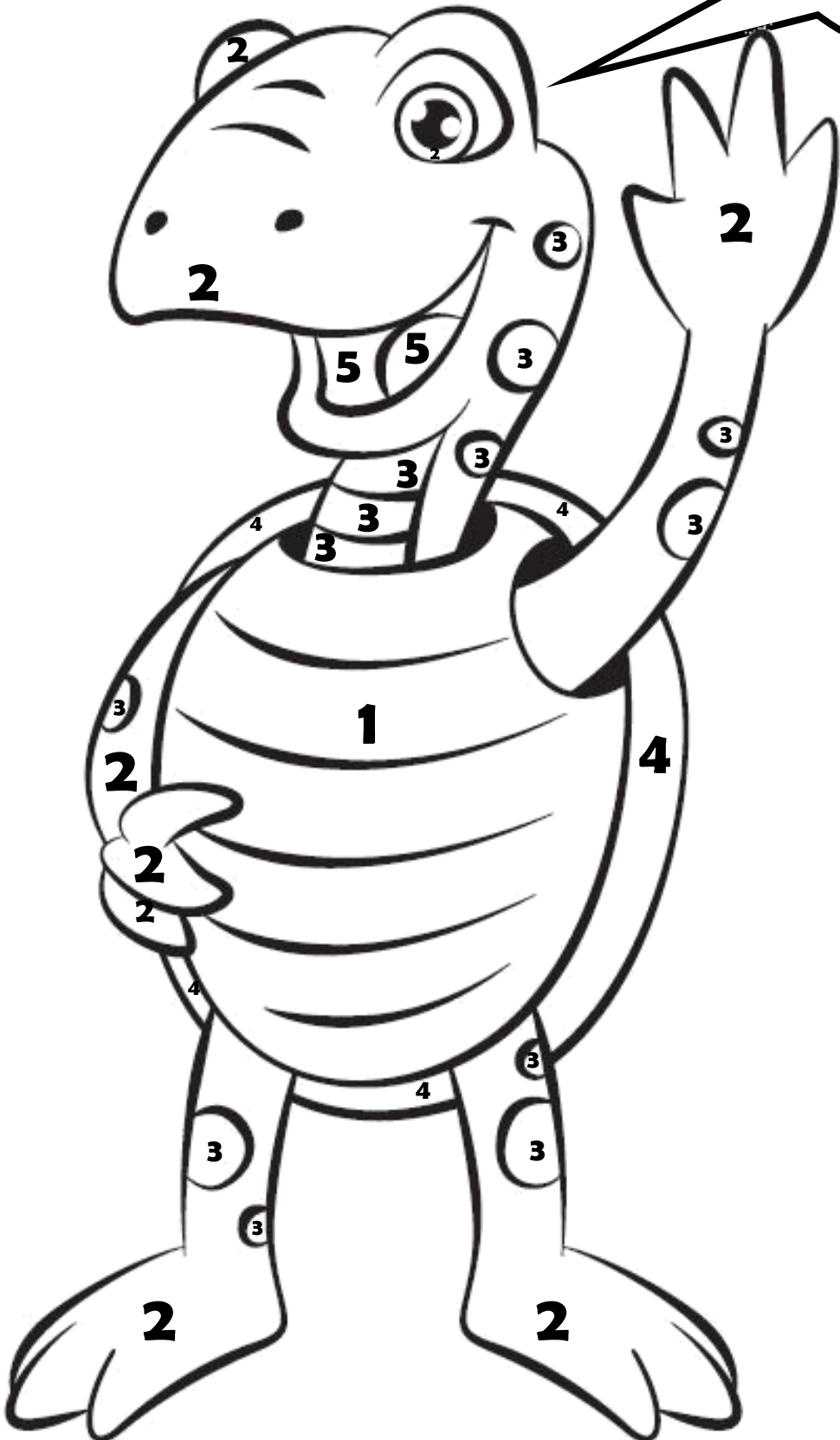
CHOOSE YOUR PLAYER AND CUT THEM OUT TO MOVE AROUND THE BOARD!



# COLOUR BY NUMBER:

What do you call  
a famous Turtle?

A Shellebrity!



Colour Key:

- 1- Yellow
- 2- Dark Green
- 3- Light Green
- 4- Gold
- 5- Red

# RANGER PACE RACE





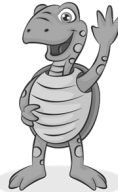


**Object of the game:** Six Rangers decide to have a race to see who is the fastest. You have to try to guess which Ranger will be the winner.

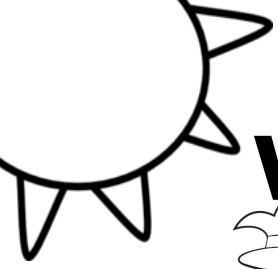
**Game preparation:** No matter how many players there are, all six rangers take part in the race. Place each of the 6 rangers on their starting position. Example: Ranger Kai starts on the Ranger Kai square (use the character pieces from the Boats and Submarines).

**Game rules:** Each player takes a guess on which Ranger they think will make it to the finish line first. Roll the character dice from page 2 of this booklet and move that Ranger one square forward. Now it's the next players turn.

**End of the Game:** The Ranger that is first to the finish line wins the race.

The winning players are the ones who guessed the outcome correctly

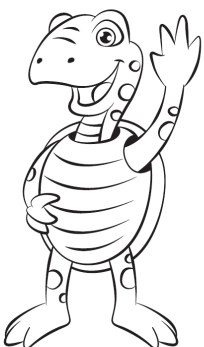
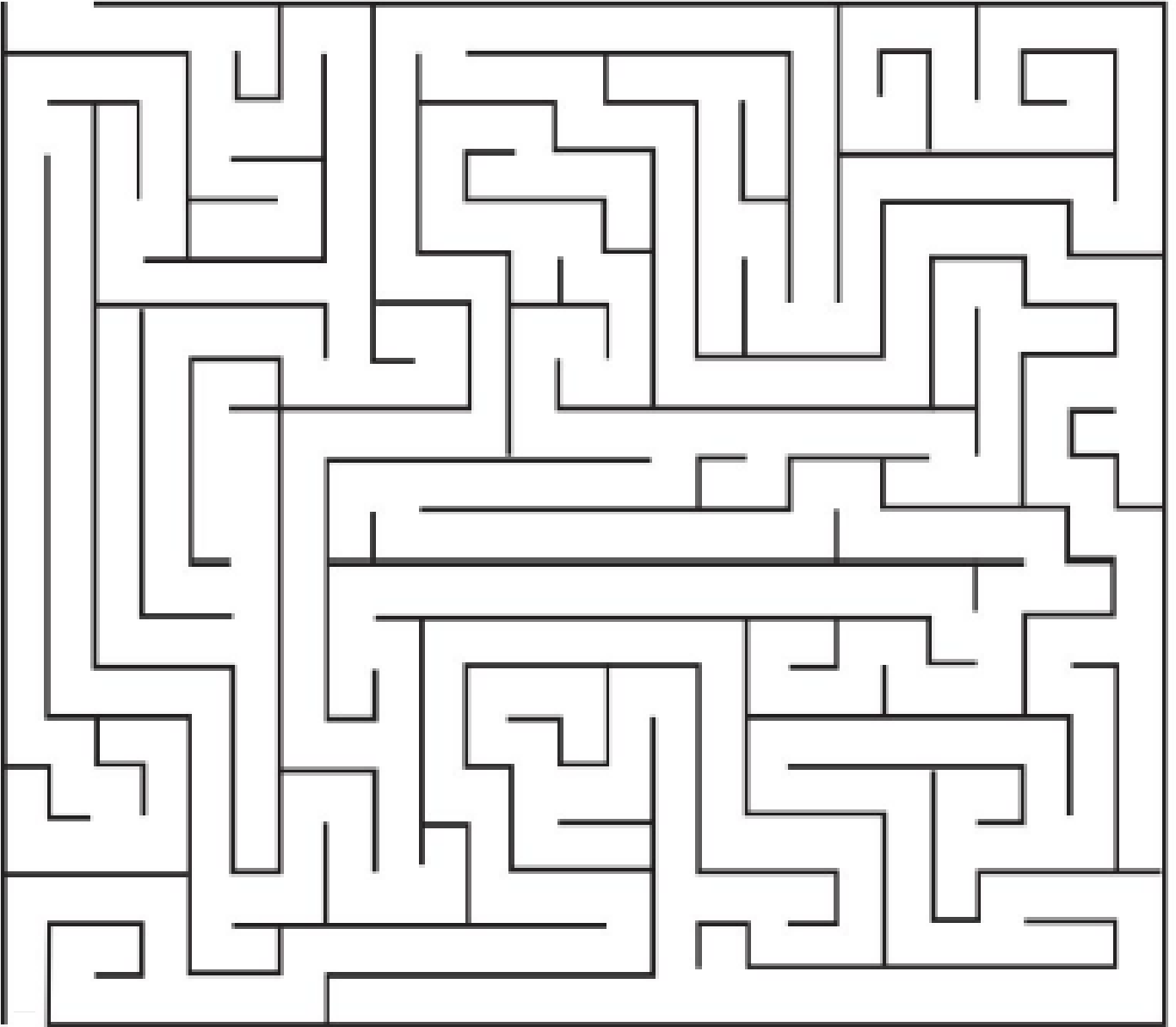
					
					



# Where are Kai's friends?



Help Ranger Kai find his Friends?

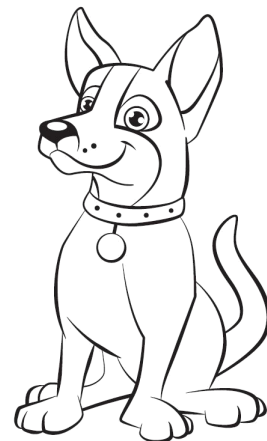








# Luck of the Chore

*Hi there, I am Ranger Kai's sidekick! I help him all around the ocean saving the other animals.*

*Can you help your parents like I help Kai? Roll the dice and see which chore you can do to help your carers!*

*You can do this once a day and be a their special helper all week!*

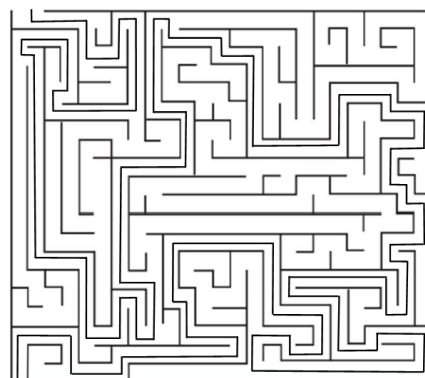


If you roll:	Complete this chore:
<p style="text-align: center;"><b>Kai</b></p> 	<p style="text-align: center;"><b>Make your bed.</b></p>
<p style="text-align: center;"><b>Tabatha</b></p> 	<p style="text-align: center;"><b>Clean your room.</b></p>
<p style="text-align: center;"><b>Dog</b></p> 	<p style="text-align: center;"><b>Set and clear the table for dinner.</b></p>
<p style="text-align: center;"><b>Dolphin</b></p> 	<p style="text-align: center;"><b>Help with the dishes.</b></p>
<p style="text-align: center;"><b>Turtle</b></p> 	<p style="text-align: center;"><b>Water the plants.</b></p>
<p style="text-align: center;"><b>Pelican</b></p> 	<p style="text-align: center;"><b>Lucky roll! You deserve a treat.</b></p>

## PUZZLE ANSWERS



COLOUR BY NUMBER:



Where are Kai's friends?